

# graphiosynth

Information Guide  
Manual



Read all safety information below and operating instructions before using graphicsynth to avoid injury

## Important safety information

graphicsynth contains sensitive component. Do not drop, open, crush, bend, deform and beware internal sockets when plugging with external cables.

Avoiding water and wet location, in case device gets wet, unplug all cables, turn off graphicsynth before cleaning and allow it to dry before turning it on again.

Do not attempt to dry graphicsynth with an external heat source, As a consequence, some components may get damaged.

Do not repairing or Modifying graphicsynth by yourself, self disassembling may cause damage that is not cover warranty.

Use care when plugging external cables please following condition s exist :

- Check the correctly cable side before plugging it into a power socket (Micro USB).



- Cable is not had become damaged.

## Using Connector and Ports

Never force a connector into a port. If the connector and port don't join perfectly, they probably don't match, make sure that the connector matches the port and that you have positioned the connector correctly in relation to the port.

graphicsynth accepted connection contains power-in port, video-out port and audio bypass port.

- Power-in accepted Micro USB
- Video-out accepted composite AV cable only **NTSC** standard system
- Audio bypass accepted 3.5 audio mono or stereo.

## Certification and Compliance



European Community Compliance Statement

The device complies with the Lead substances in soldering process.

The substance required in Directive 2011/65/EU of the European Parliament and of the Council of 8 June 2011 on the restriction of the use of certain hazardous substances in electrical and electronic equipment.

EU declaration of conformity

**Deutsch** post-computer erklärt, dass dieses Gerät den grundlegenden Anforderungen und anderen relevanten Bestimmungen der Richtlinie 2011/65/EU entspricht.

**English** post-computer declares this device is in compliance with the essential requirements and other relevant provisions of Directive 2011/65/EU

**Español** post-computer declara que este dispositivo cumple con los requisitos esenciales y otras disposiciones relevantes de la Directiva 2011/65/UE

**Français** post-computer déclare que cet appareil est conforme aux exigences essentielles et aux autres dispositions pertinentes de la directive 2011/65/UE

**Italiano** post-computer dichiara che questo dispositivo è conforme ai requisiti essenziali e alle altre disposizioni pertinenti della direttiva 2011/65/UE

**Eesti** järelarvuti kinnitab, et see seade vastab direktiivi 2011/65/EL olulistele nõuetele ja muudele asjakohastele sätetele

**Português** o pós-computador declara que este dispositivo está em conformidade com os requisitos essenciais e outras disposições relevantes da Diretiva 2011/65/UE

## **Warranty**

No order cancellations, refunds or returns. Please be aware that we are a small business and often purchase materials based on your advance payments.

Defective or damaged products are covered under our manufacturer warranty and eligible for \*replacement.

\*3 month cover of replacement

Return shipping – Please place the original product box inside the original packaging and securely with tape to prevent exposure to the elements. DO NOT pack the product in a larger box – this will likely result in mistreatment by the courier.

## **European Union - Disposal Information :**



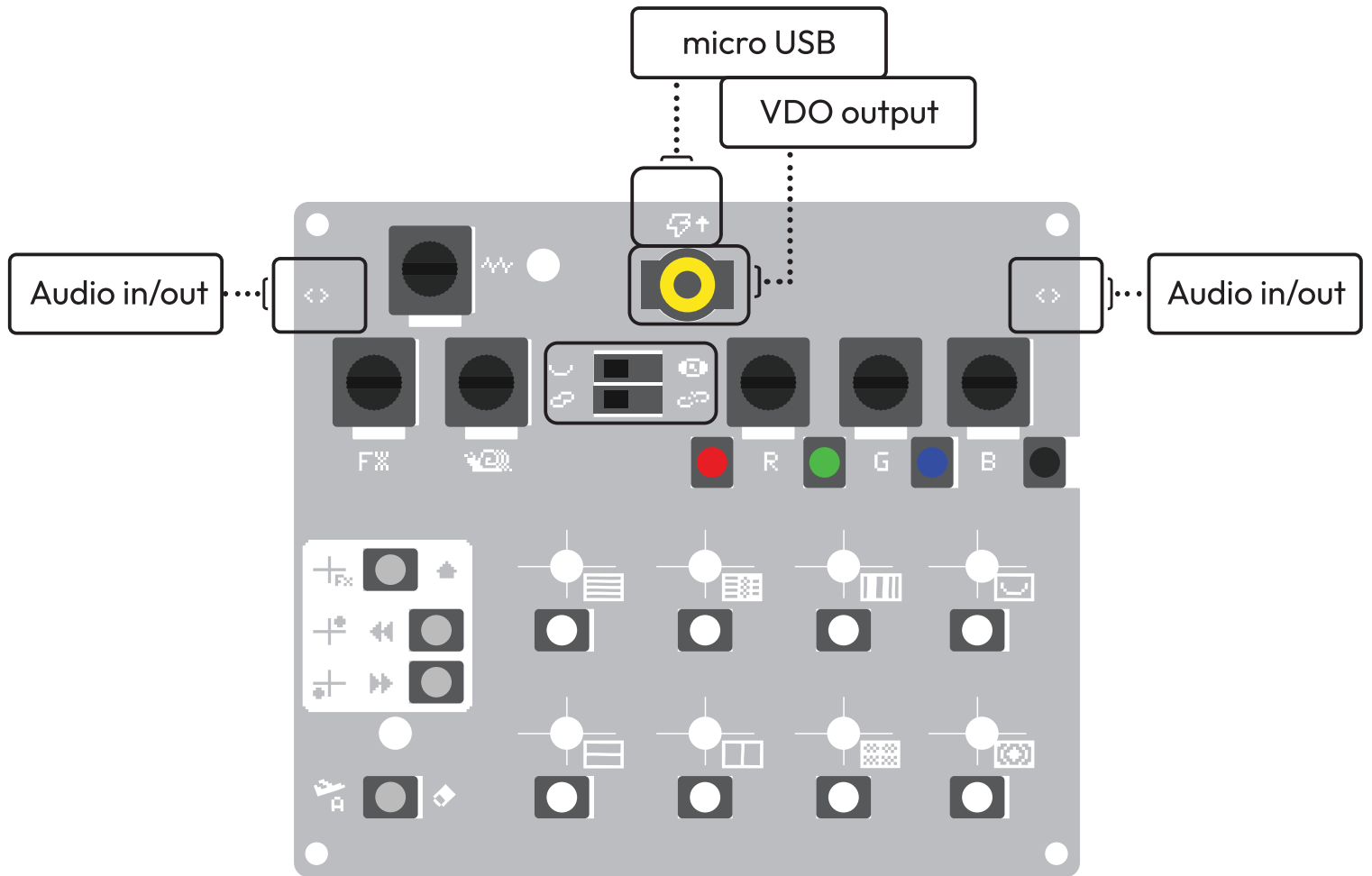
The symbol above means that according to local laws and regulations your product should be disposed of separately from household waste. The separate collection and recycling of your product at the time disposal will help conserve natural resources and ensure that it is recycled in a manner that protects human health and the environment.

## **Support and Service Information**

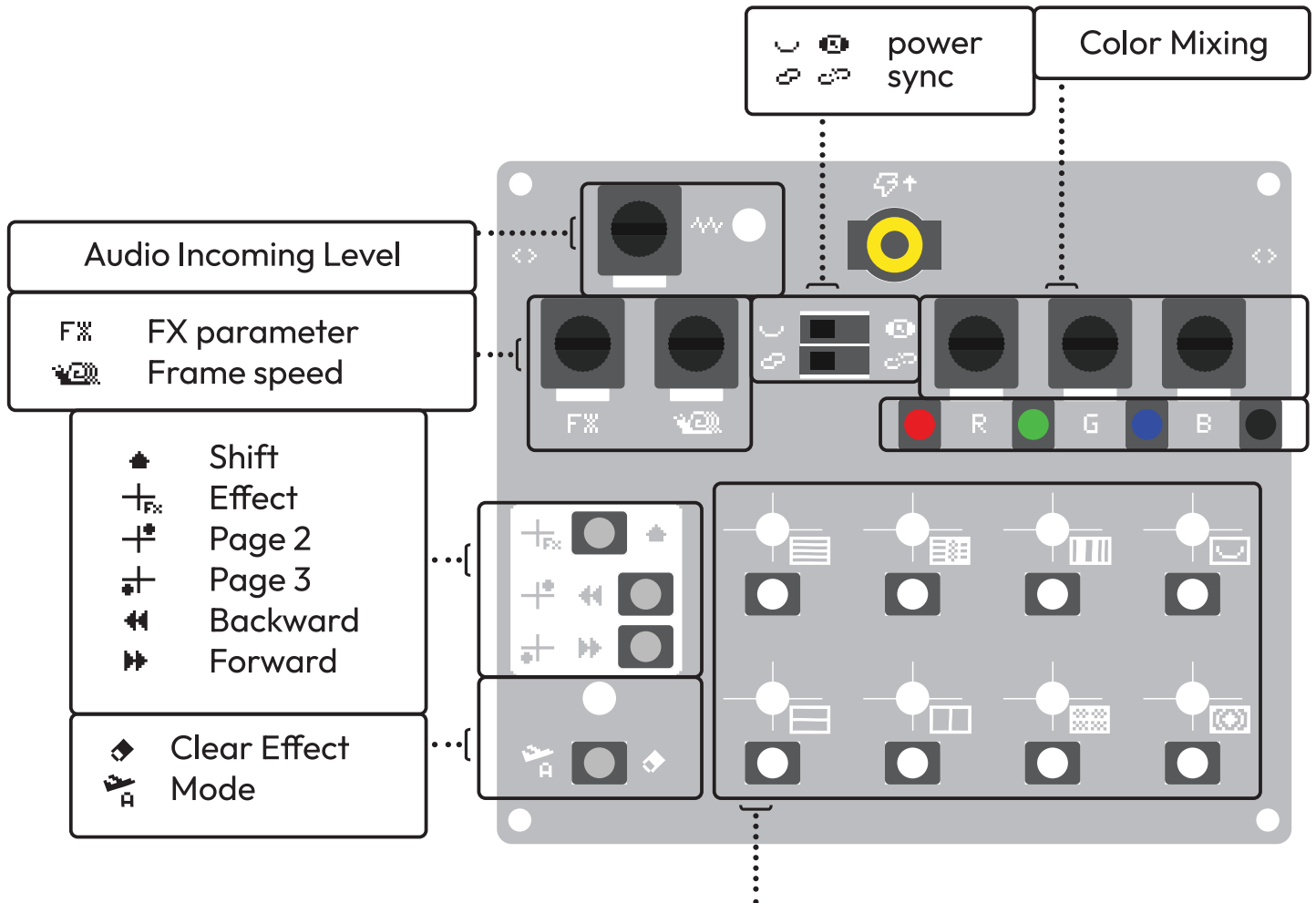
: dev.postcomputer@gmail.com

: post-computer.com

# connectivity



# Control Layout



**Visuals / FX section**

⋮


\*Different Visuals from individual series

	to Add Alternate Negative Horizontal line.
	to Add Frame glitch style subtract each color.
	to Add Vertical wipe each color.
	to Add Black strobe.
	to Change Vertical center of Screen position.
	to Change Horizontal center of Screen position.
	to Add pixel distort.
	to Add a Negative strobe.

# Control Function

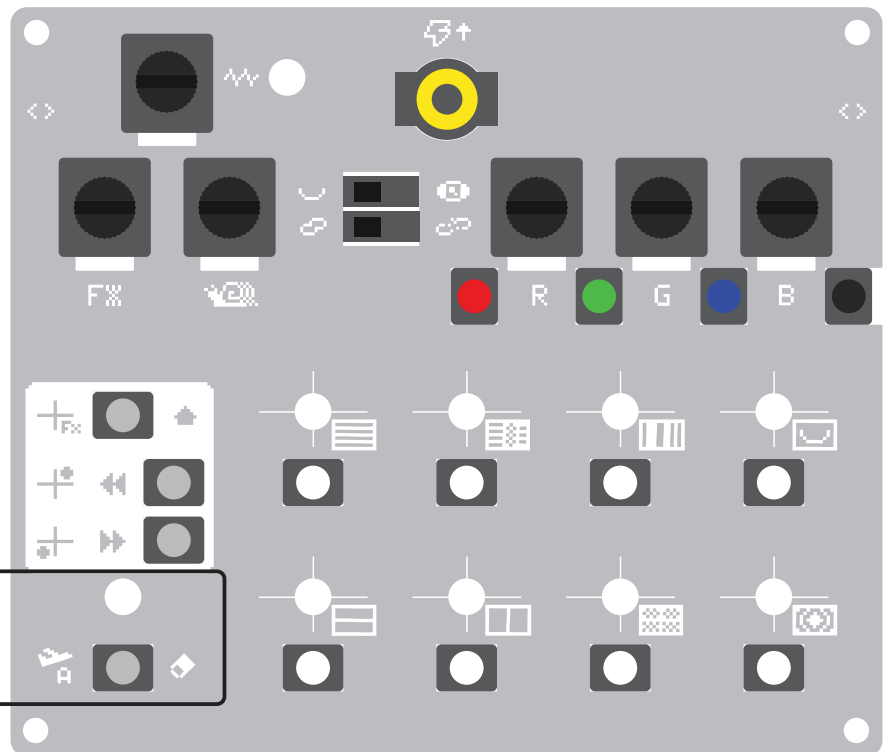
As the power is on, the Device starts in Performing mode.

LED is on

Sequencing mode  
(Sequencing mode, Auto playing  
Visuals & FX as 8 step sequence )

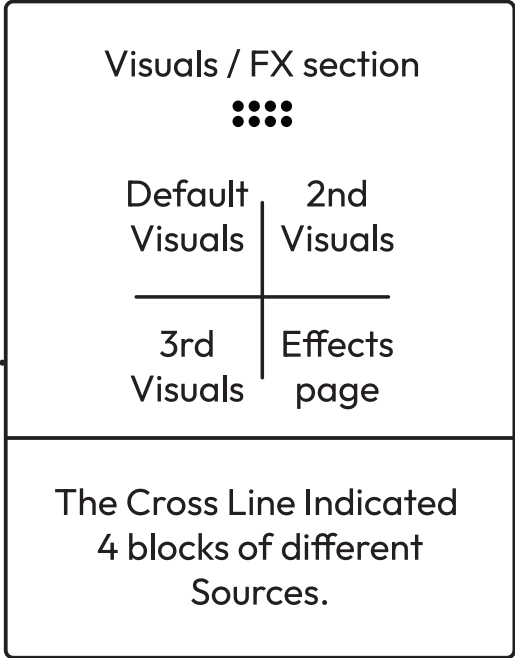
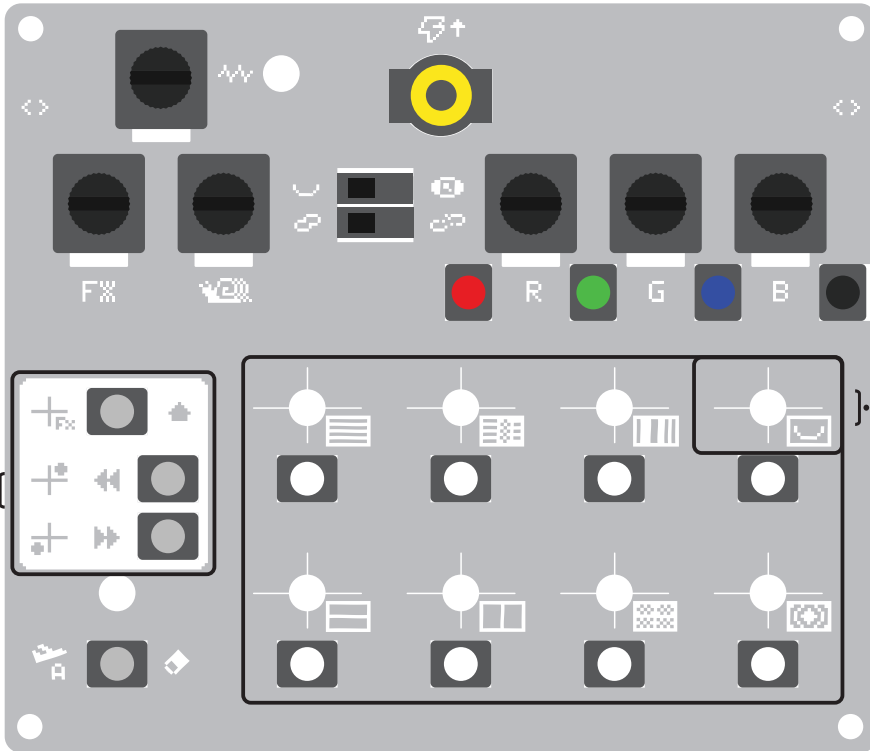
LED is off

Performing mode  
(manual selecting Visuals & FX by  
single pressed)



\*Hold Pressing a bit Second.

# Control Function

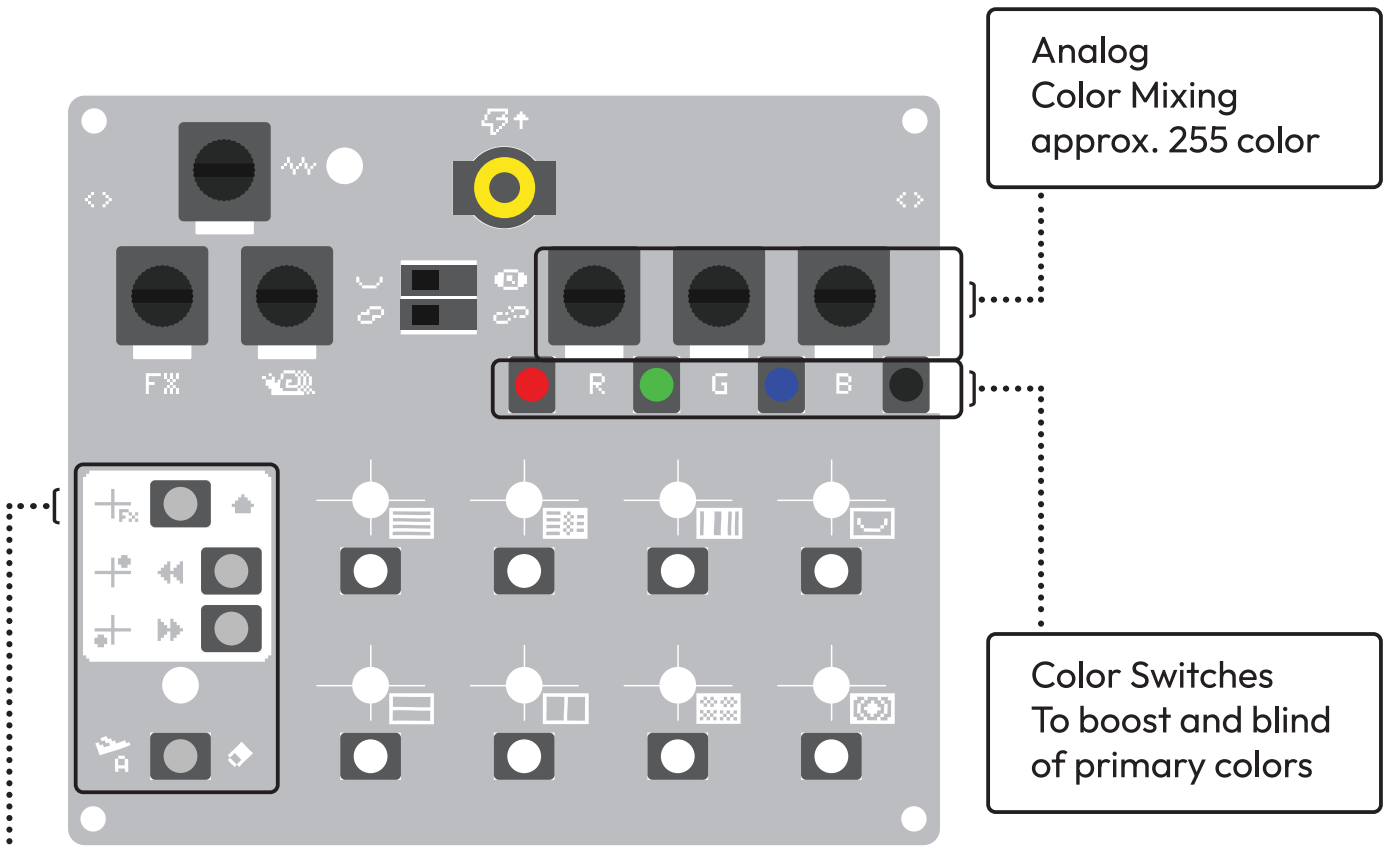


as pointed icons show as triggers each block.

\*Hold Pressing one and Select another one in Visuals / FX section.

- ⋮⋮⋮ To select Default Visuals.
- FX + ⋮⋮⋮ To select FX.
- 2 + ⋮⋮⋮ To select 2nd Visual page.
- 3 + ⋮⋮⋮ To select 3rd Visual page.

# Control Function



Analog  
Color Mixing  
approx. 255 color

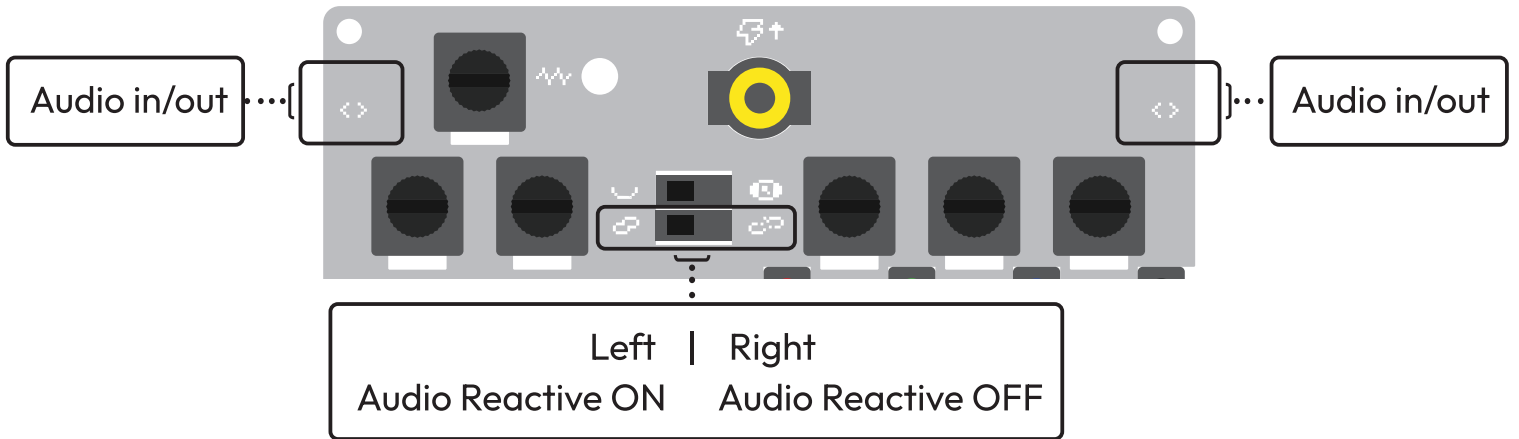
Color Switches  
To boost and blind  
of primary colors

Shift Function  
▲

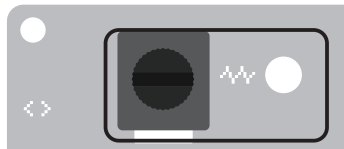
▲	+	⏮	<b>Backward</b>	Set Playing Loop to Backward.
▲	+	⏭	<b>Forward</b>	Set Playing Loop to Forward.
▲	+	◊	<b>Clear FX</b>	Clear All Effect.



# Control Function



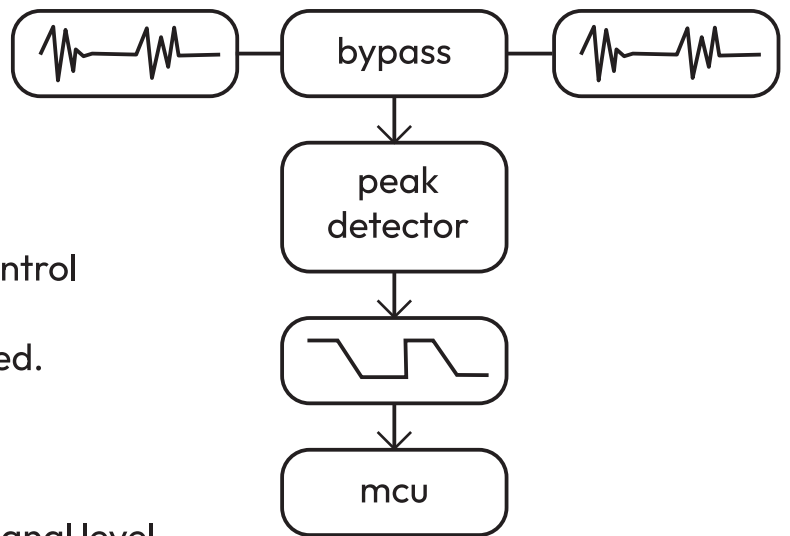
Simply audio signal can be connected to input on the Left to the Right output of the socket or vice-versa.  
 (0-5v CV,GATE,TRIGGER is also supported)



Using a knob on this section to control the initial signal, Which is reactive with frame speed.

not affect the audio output.

And LED indicator visualize the signal level when equal to the threshold.



\*Audio does not accept headphones without a power amp. please use the device that comes with a power amp, like a speaker instead.

**post-computer™**